

Rechargeable Touch Series

Wireless LED Art Light



Product Details

Description	Slim Bar Wireless LED Art Light
Category	Rechargeable Picture Lighting
Material	Brass Aluminum
Finish	Brushed Anodized Sandblasted
Dimming	Low Medium High
Power	Integrated Rechargeable NiMH Battery
Rotation	60° Pivot
Mounting Options	Wall Artwork
Accessories	Charger Included
Charge Time	4.5 hours
Runtimes	Low 50 hrs Medium 28 hrs High 16 hrs

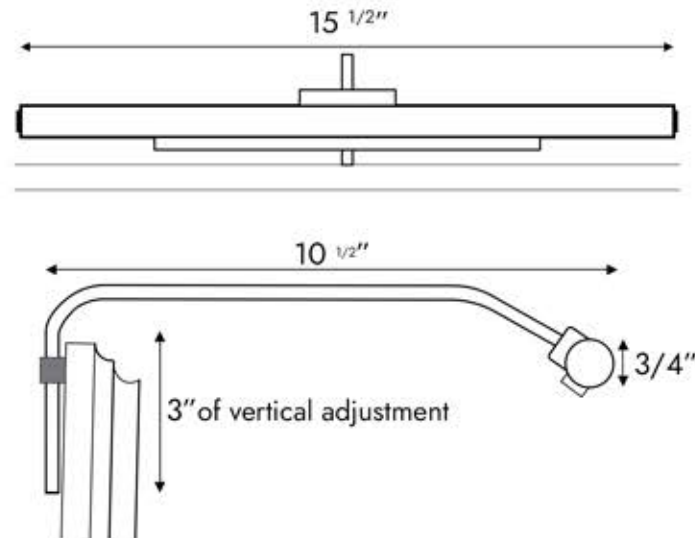
Power & Light Specs

Power	4.8-7.2V
Power Supply Certifications	UL cUL ETL
Color Rendering	95+ CRI
Color Temp.	2700K 3000K (recommended)
Beam Distribution	Up to 40"W x 30"H
LED Life	70,000+ hours
Lumens	85

Product Options

Finish	Color Temp.
Brushed Brass	2700K
Antique Bronze	3000K (Recommended)
Oil-Rubbed Bronze	
Black	
Silver	
White	

Dimensions



Maximum Recommended Artwork Size

