

Rechargeable Micro Series

Wireless LED Art Light



Product Details

Description	Compact Wireless LED Art Light
Category	Rechargeable Picture Lighting
Material	Brass Aluminum
Finish	Brushed Anodized Sandblasted
Dimming	Low Medium High
Power	Integrated Rechargeable NiMH Battery
Rotation	120° Pivot
Mounting Options	Rests Atop Art (No Installation Required)
Accessories	Charger Included
Charge Time	4.5 hours
1 Light Runtimes	Low 45 hrs Medium 30 hrs High 20 hrs
2 Light Runtimes	Low 45 hrs Medium 25 hrs High 15 hrs

Power & Light Specs

Power	4.8-7.2V
Power Supply Certifications	UL cUL
Color Rendering	93+ CRI
Color Temp.	2700K 3000K (recommended) 4000K
Beam Distribution	1 Light Short 1 Light 2 Light
LED Life	70,000+ hours
Lumens	1 Light 60 2 Light 125

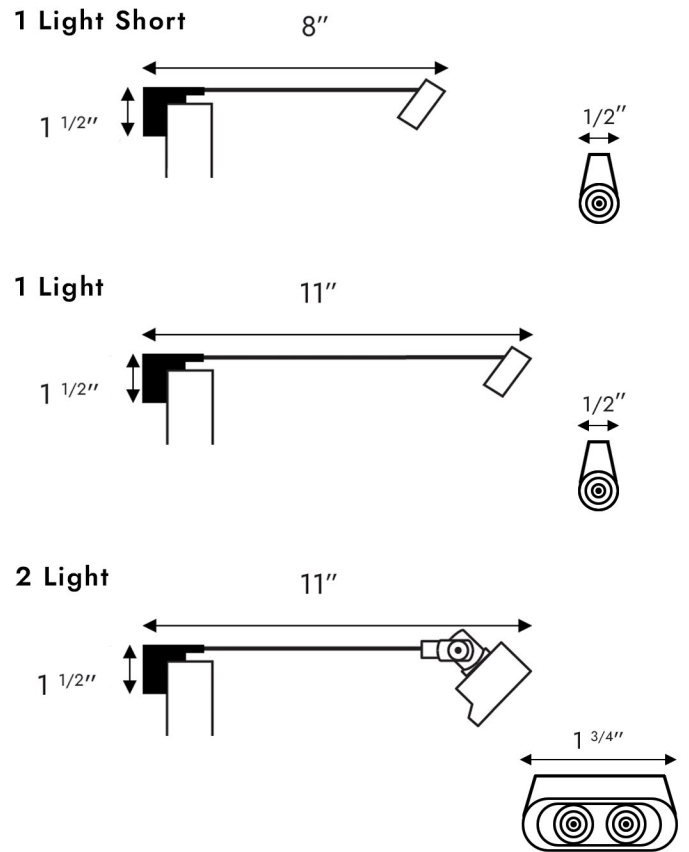
Product Options

Size	
1 Light Short	(suitable for up to 18"W x 24"T)
1 Light	(suitable for up to 24"W x 30"T)
2 Light	(suitable for up to 24"W x 40"T or 36"W x 30"T)

Finish	
Brushed Brass	
Antique Bronze	
Oil-Rubbed Bronze	
Black	
Silver	
White	

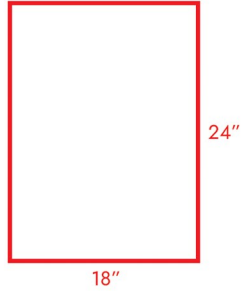
Color Temp.	
2700K	
3000K (Recommended)	
4000K	

Dimensions

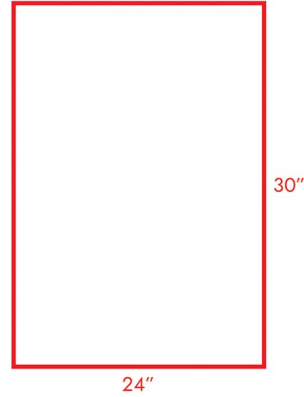


Maximum Recommended Artwork Sizes

1 Light Short



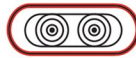
1 Light



2 Light

LED Adjustment:

Narrow



Wide

