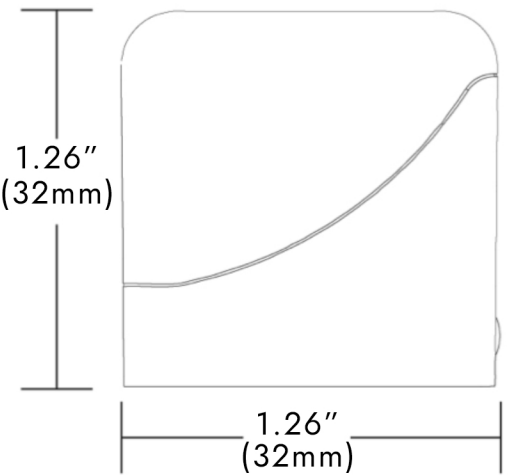
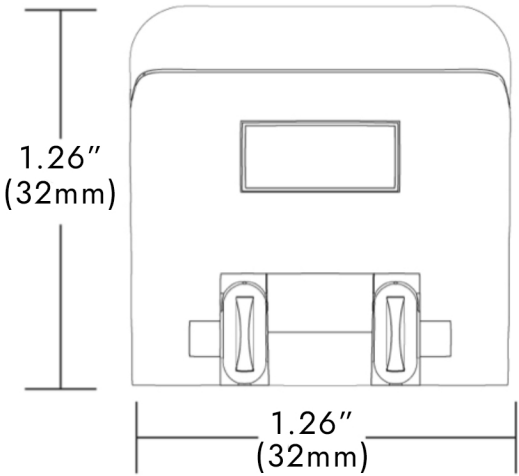
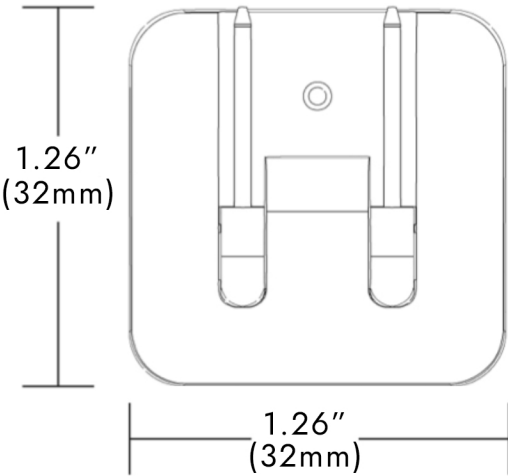


# Plug-In Micro Series 1 Light Power Supply Dimensions



## L6R12 Series

Innovative, reliable, and inexpensive. That's the **L6R12 Series**.

This economical, UL/cUL 62368-1 approved Class II design is a DOE Level VI compliant power supply/charger rated up to 12W when charging any mobile

or wireless device. Plenty of voltage levels to choose from, too. From 5.0Vdc all the way up to 36.0Vdc (in increments of 0.1V), to match your need.

Contact us (800-657-0853 or Sales@Tri-Mag.com) for the part number to match your specifications.

## Specifications

### Input

Input Voltage	• 90 Vac ~ 264 Vac
Input Frequency	• 47 Hz to 63 Hz
No Load Input Power	• < 0.1W
Input Current	• 1.2A Max.
Inrush Current	• 40A Max.
Leakage Current	• 0.25mA Max.
Input Connection	• US (others available)

### Output

Output Voltage Range	• 5.0 to 36.0 Vdc
Output Current Range	• 333 - 2100mA, 12W Max.
Minimum Load	• No min. load required.
Line Regulation	• $\pm 1\%$ at rated load across input voltage range
Load Regulation	• $\pm 5\%$
Ripple & Noise	• 100mVp-p Max.
Overvoltage Protection	• Auto recovery
Overload Protection	• Auto recovery
Short Circuit Protection	• Auto recovery

### General

Insulation Resistance	• 50M $\Omega$ Min.
Efficiency	• Level VI compliant
MTBF	• 50,000 hrs to MIL-HDBK-217F at +25°C

### Environmental

Operating Temperature	• 0°C to 40°C
Operating Humidity	• 5% - 95% RH, Non-Condensing
Storage Temperature	• -20°C to +80°C

### EMC & Safety

Safety Approvals	• UL: ANSI/UL 62368-1 • cUL: CAN/CSA C22.2 NO. 62368-1
EMC Approvals	• FCC

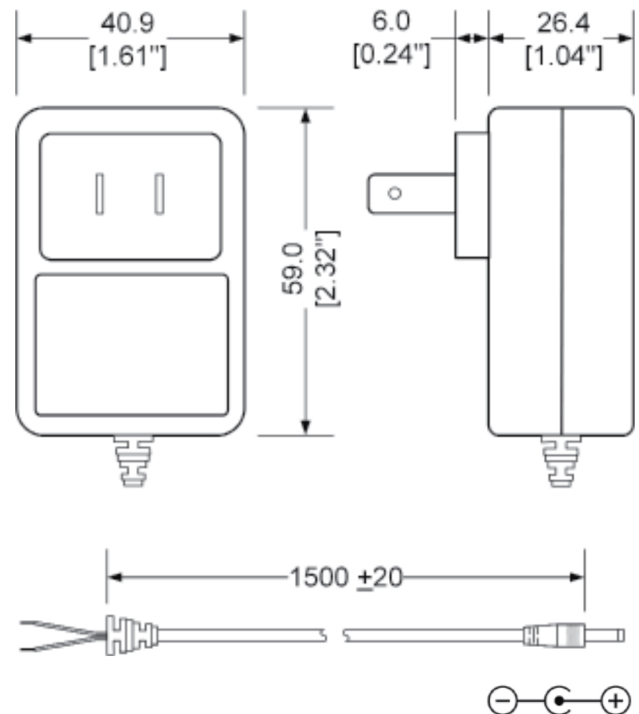
### Warranty

Warranty Period	• 3 years
-----------------	-----------

### Dimensions and Notes

Dimensions in mm	
Tolerance	• $\pm 0.2\text{mm}$
Size	• 59.0 x 40.9 x 25.5 mm • 2.32 x 1.60 x 1.00 Inches
Weight	• Approx. 105g (3.7 oz.)
Connectors	• AC input, US 2-prong inlet plug • DC output, standard 5.5 x 2.1 x 9.5mm corded dc output plug or per customer specification.
Cord length	• 1500 $\pm$ 20 mm (59 $\pm$ .8")

### Mechanical Drawing



# Plug-In Micro Series 2 & 3 Light Optional "Clock Box" Power Supply Dimensions

