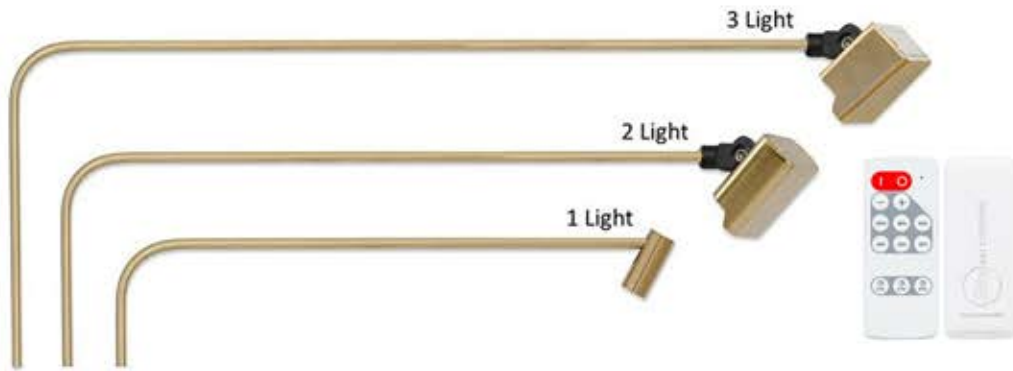


Plug-In Micro Series

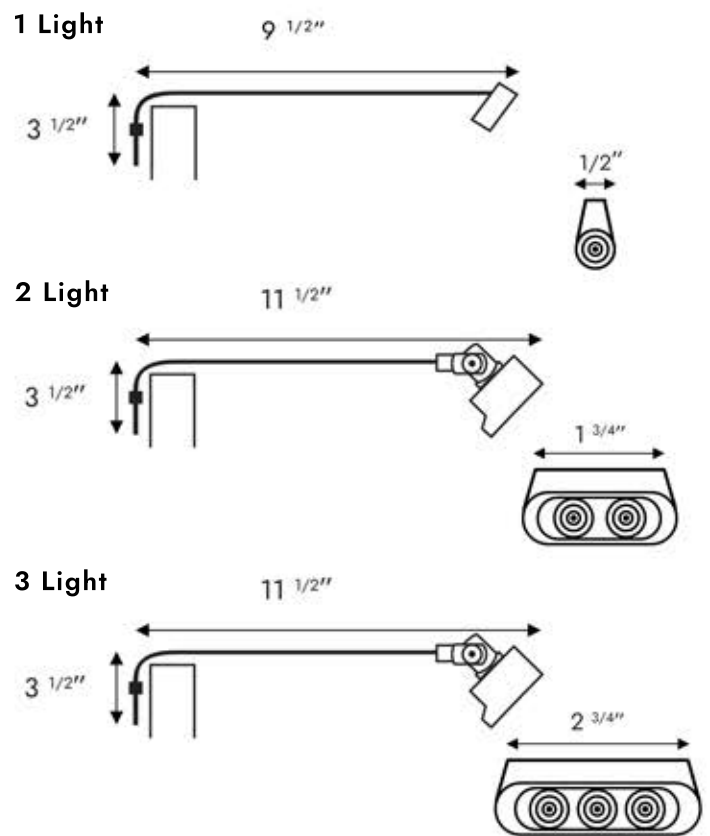
Compact & Adjustable LED Art Light



Product Details

Description	Compact LED Art Light
Category	Plug-In Picture Lighting
Material	Brass Aluminum
Finish	Brushed Anodized Sandblasted
Dimming	Remote Control Smart Phone
Power Supply	Plug-In
Accessories	Remote Control
Shut-Off Timer	3 hr 6 hr 9 hr
Rotation	120° Pivot
Height Adjustment	3 1/2"
Mounting Options	Wall Artwork

Dimensions



Power & Light Specs

Power	5V 7V 9V
Watts	1.5-9w
Power Supply Certifications	UL cUL
Color Rendering	93+ CRI
Color Temp.	2700K 3000K (recommended) 4000K
Beam Distribution	1 Light 2 Light 3 Light
Lamp Life	70,000+ hours
Lumens	125 225 325

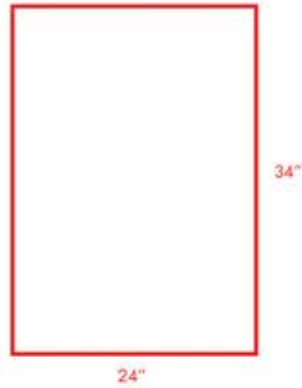
Product Options

Size	Finish	Color Temp.
1 Light (suitable for up to 24" W x 34" T)	Brushed Brass	2700K
2 Light (suitable for up to 26" W x 48" T or 30" W x 34" T)	Antique Bronze	3000K (Recommended)
3 Light (suitable for up to 35" W x 48" T or 42" W x 34" T)	Oil-Rubbed Bronze	4000K
	Black	
	Silver	
	White	



Maximum Recommended Artwork Sizes

1 Light



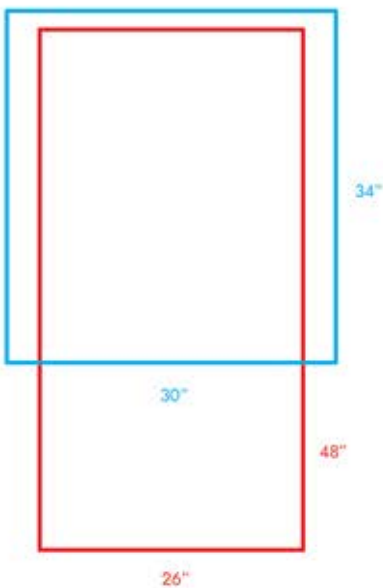
2 Light

LED Adjustment:

Narrow



Wide



3 Light

LED Adjustment:

Narrow



Wide

