

Direct Connect Vision Series

Hardwire Power Supply Wiring Instructions



WARNING: SHOCK HAZARD

To avoid fire, shock, or death; turn off power at circuit breaker or fuse and test that power is off before wiring or servicing fixture or driver!

Installation should be completed by licensed electrician.

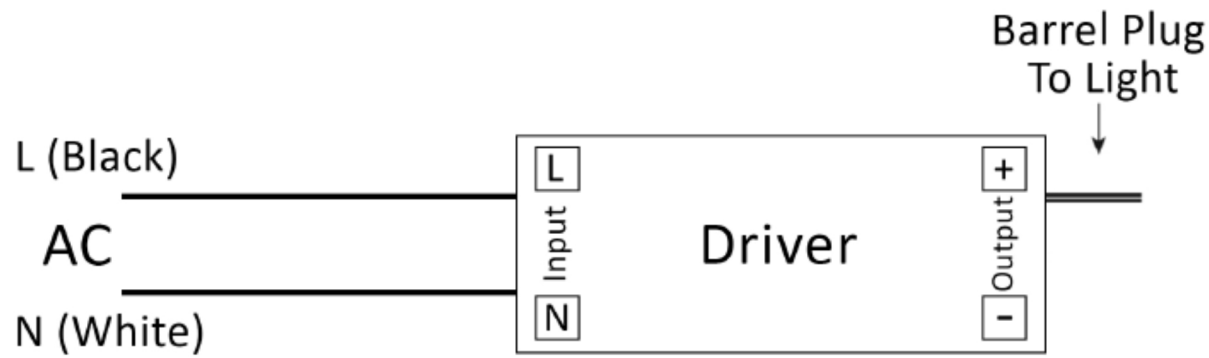
Do NOT remove driver or connect light directly to line voltage (mains electricity). This will void your warranty and destroy the light.

The light can only be hardwired using the pre-installed driver. Use of this light with any other driver or power supply will void the warranty.

Connect driver input and ground wiring in accordance with National Electrical Code and all local regulations. If plastic wire connectors are used, tightly wrap electrical tape to seal the ends.

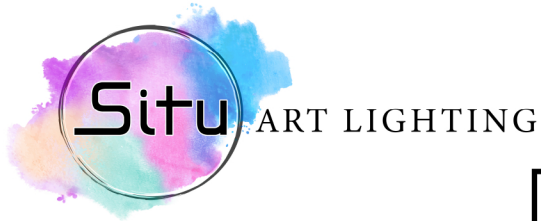
Please call us at 1-800-561-0492 should you have any questions.

Use included remote control and dimmer module for operation of light. **See reverse side for details**



Direct Connect Vision Series

TRIAC Wiring Instructions



WARNING: SHOCK HAZARD

To avoid fire, shock, or death; turn off power at circuit breaker or fuse and test that power is off before wiring or servicing fixture or driver!

Installation should be completed by licensed electrician.

Do NOT remove driver or connect light directly to line voltage (mains electricity). This will void your warranty and destroy the light.

The light can only be hardwired using the pre-installed driver. Use of this light with any other driver or power supply will void the warranty.

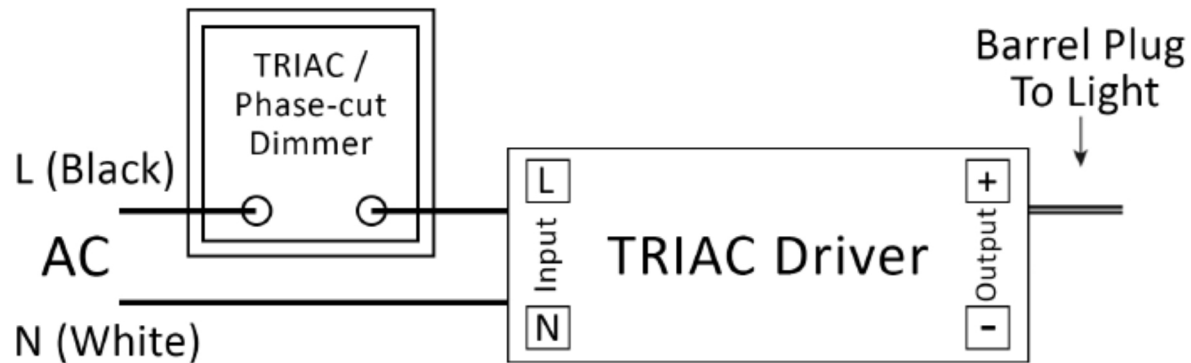
Connect driver input and ground wiring in accordance with National Electrical Code and all local regulations. If plastic wire connectors are used, tightly wrap electrical tape to seal the ends.

Please call us at 1-800-561-0492 should you have any questions.

Dimmer compatibility:

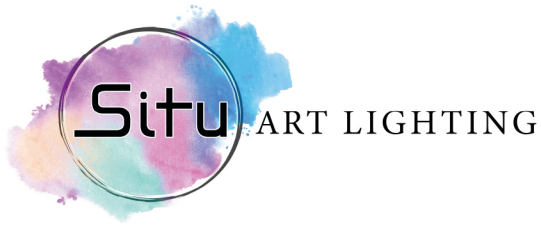
There are many manufacturers and models of dimmers on the market. Performance will vary depending on the specific make and model of the dimmer installed.

For optimal performance please use a Leviton TSL06 dimmer.



Direct Connect Vision Series

0, 1-10v Driver Wiring Instructions



WARNING: SHOCK HAZARD
To avoid fire, shock, or death; turn off power at circuit breaker or fuse and test that power is off before wiring or servicing fixture or driver!

Installation should be completed by licensed electrician.

Do NOT remove driver or connect light directly to line voltage (mains electricity). This will void your warranty and destroy the light.

The light can only be hardwired using the pre-installed driver. Use of this light with any other driver or power supply will void the warranty.

Connect driver input and ground wiring in accordance with National Electrical Code and all local regulations. If plastic wire connectors are used, tightly wrap electrical tape to seal the ends.

Please call us at 1-800-561-0492 should you have any questions.

Dimmer compatibility:

There are many manufacturers and models of dimmers on the market. Performance will vary depending on the specific make and model of the dimmer installed.

For optimal performance please use a Leviton IP710 dimmer.

