

Plug-In ArtTrack 1, 2, & 3 Light Power Supply Dimensions

L6R24 / L6R30 Series

Innovative, reliable, and inexpensive. That's the **L6R24/L6R30 Series**.

This economical, UL/cUL 62368-1 approved, DOE Level VI compliant power supply/charger is rated up to 30W when powering stationary or charging portable devices.

Plenty of voltage levels to choose from, too. From 5.0Vdc all the way up to 48.0Vdc (in increments of 0.1V), to match your need.

Call us (800-657-0853) for the part number to match your specifications.

Specifications

Input

Input Voltage	• 90 Vac ~ 264 Vac
Input Frequency	• 47 Hz to 63 Hz
No Load Input Power	• < 0.1W
Input Current	• 1.2A Max.
Inrush Current	• 40A Max.
Leakage Current	• 0.25mA Max.
Input Connection	• US (others available)

Output

Output Voltage Range	• 5.0 to 48.0 Vdc
Output Current Range	• L6R24: 667 - 3000mA, 24W Max. • L6R30: 833 - 3000mA, 30W Max.
Minimum Load	• No min. load required.
Line Regulation	• $\pm 1\%$ at rated load across input voltage range
Load Regulation	• $\pm 5\%$
Ripple & Noise	• 100mVp-p Max.
Overvoltage Protection	• Auto recovery
Overload Protection	• Auto recovery
Short Circuit Protection	• Auto recovery

General

Insulation Resistance	• 50M Ω Min.
Efficiency	• Level VI compliant
MTBF	• 50,000 hrs to MIL-HDBK-217F at +25°C

Environmental

Operating Temperature	• 0°C to 40°C
Operating Humidity	• 5% - 95% RH, Non-Condensing
Storage Temperature	• -20°C to +80°C

EMC & Safety

Safety Approvals	• UL: UL62368-1 • cUL: cUL62368-1
EMC Approvals	• FCC

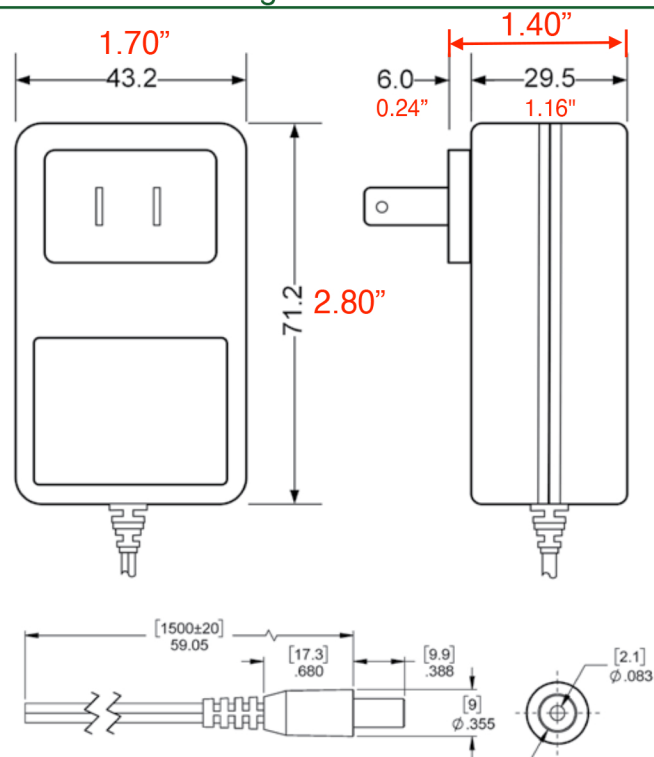
Warranty

Warranty Period	• 3 years
-----------------	-----------

Dimensions and Notes

Dimensions in mm	
Tolerance	• $\pm 0.2\text{mm}$
Size	• 71.2 x 43.2 x 29.5 mm • 2.80 x 1.70 x 1.16 Inches
Weight	• Approx. 150g (4.3oz.)
Connectors	• AC input, US 2-prong inlet plug • DC output, standard 5.5 x 2.1 x 9.5mm corded dc output plug or per customer specification.
Cord length	• 1500 \pm 20 mm (59 \pm .8")

Mechanical Drawing



Plug-In ArtTrack 4 & 5 Light Power Supply Dimensions

L6R18 Series

Economical and dependable whether powering stationary or portable devices.

This DOE Level VI compliant power supply/charger is rated up to 19W, with plenty of voltage levels to

choose from: 5.0Vdc to 36Vdc (in increments of 0.1V), to match your specific need.

Call us (800-657-0853) for the part number to match your particular need.

Specifications

Input

Input Voltage	• 90 VAC ~ 264 Vac
Input Frequency	• 47 Hz to 63 Hz
No Load Input Power	• $\leq 0.1W$
Input Current	• 1.2A Max.
Inrush Current	• 40A Max.
Leakage Current	• 0.25mA Max.
Input Connection	• US (others available)

Output

Output Voltage Range	• 5.0 ~ 36Vdc
Output Current Range	• 500 - 2100mA, 19.2W Max.
Minimum Load	• No min. load required.
Line Regulation	• $\pm 1\%$ at rated load across input voltage range.
Load Regulation	• $\pm 5\%$
Ripple & Noise	• 240mV p-p Max.
Overvoltage Protection	• Auto recovery
Overload Protection	• Auto recovery
Short Circuit Protection	• Auto recovery

General

Insulation Resistance	• 50M Ω Min.
Efficiency	• Level VI compliant
MTBF	• 50,000 Hrs to MIL-HDBK-217F at +25°C

Environmental

Operating Temperature	• 0°C to 40°C
Operating Humidity	• 5% - 95% RH, Non-Condensing
Storage Temperature	• -20°C to +80°C

EMC & Safety

Safety Approvals	• cULus: UL60950-1
	• CE
EMC Approvals:	• FCC

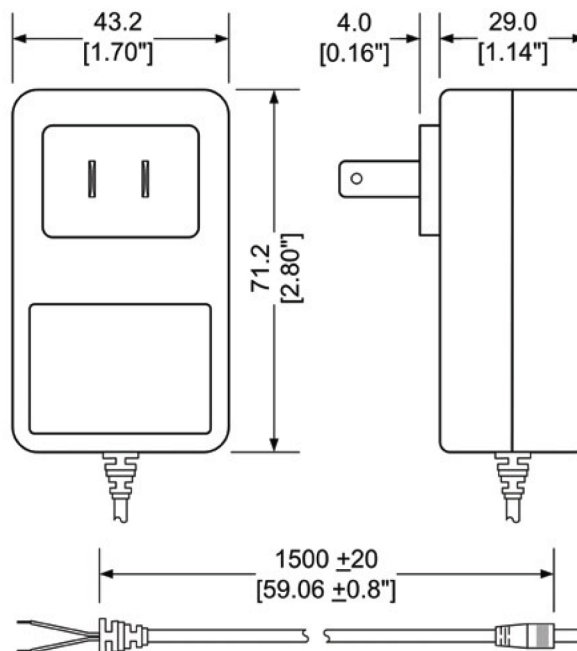
Warranty

Warranty Period	• 1 year
-----------------	----------

Dimensions

Tolerance	• $\pm 0.2mm$
Size	• 71.2 x 43.2 x 29.0 mm 2.80 x 1.70 x 1.14 Inches
Weight	• Approx. 125g (4.4 oz.)
Connectors	• AC input, US 2-prong inlet plug • DC output, standard 5.5mm x 2.1mm x 9.5mm corded dc output plug or per customer specification.
Cord length	• 1500 \pm 20 mm (59 \pm .8")

Mechanical Drawing



Plug-In ArtTrack 4 & 5 Light

GREEN POWER

L6R18 Series

18W Wall Mount Power Supply

- DOE Level VI Efficiency Rating
- Universal Input: 90 ~ 264Vac, 47/63 Hz
- Safety Approvals: UL/cUL, CE
- Corded Output Connection
- Lightweight & Compact



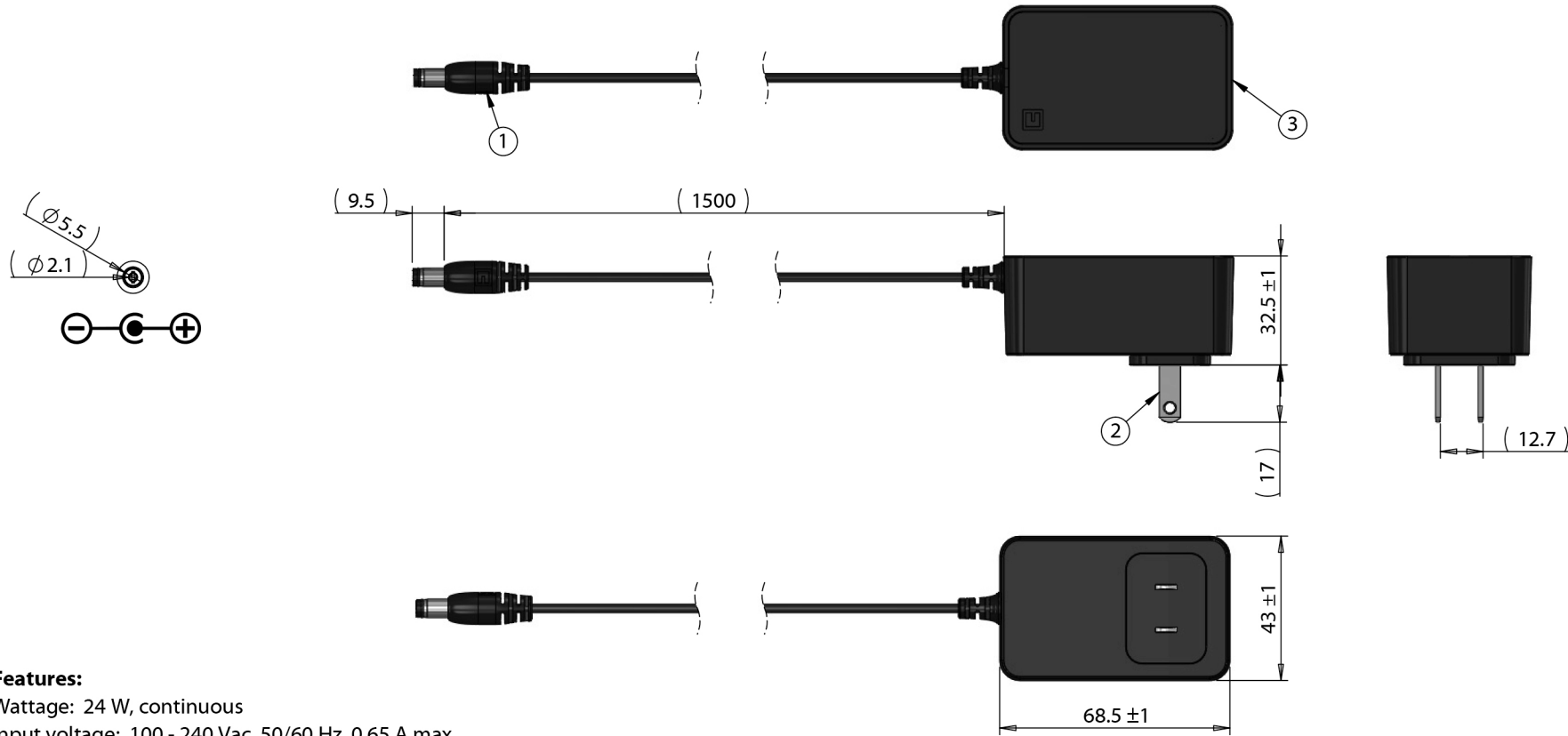
Model No.*	Application	Output Connector	Output Voltage	Load (A)			Voltage Accuracy	Ripple Noise	Line Reg.	Load Reg.
				Min	Rated	Peak				
L6R18-050	ITE	Corded Plug	+5.0V	0	2.1	—	±5%	50mVpp	± 1%	±5%
L6R18-090	ITE	Corded Plug	+9.0V	0	2.1	—	±5%	90mVpp	± 1%	± 5%
L6R18-120	ITE	Corded Plug	+12.0V	0	1.5	—	±5%	120mVpp	± 1%	± 5%
L6R18-150	ITE	Corded Plug	+15.0V	0	1.2	—	±5%	150mVpp	± 1%	± 5%
L6R18-180	ITE	Corded Plug	+18.0V	0	1.0	—	±5%	180mVpp	± 1%	± 5%
L6R18-240	ITE	Corded Plug	+24.0V	0	0.8	—	±5%	240mVpp	± 1%	± 5%
L6R18-300	ITE	Corded Plug	+30.0V	0	0.6	—	±5%	240mVpp	± 1%	± 5%
L6R18-360	ITE	Corded Plug	+36.0V	0	0.5	—	±5%	240mVpp	± 1%	± 5%

* Model No. format: L6R18-YYY, where YYY=050 to 360 representing output voltage. Output voltages from 5.0Vdc to 36Vdc are available for Level VI compliance in increments of 0.1V. Please contact Tri-Mag, LLC for the part number and specifications for your output voltage and/or specific output connector requirements and application.

- **Output voltage** is verified to specification at 60% rated load condition.
- **Line Regulation** is defined by changing ± 10% of input voltage from nominal line at rated load.
- **Load Regulation** is defined by changing ± 40% of measured output load from 60% rated load.
- The ripple and noise is measured by using 20MHz bandwidth limited oscilloscope and terminated each output with a 10 µF electrolytic and a 0.1 µF capacitor at rated load and nominal line.
- **Efficiency** is measured at rated load and nominal line.

Plug-In ArtTrack 6 & 7 Light Power Supply Dimensions

ITEM NO.	PART NUMBER	DESCRIPTION	QTY.	COMPONENT NOTES
1	10-03171	Cable, 1500 mm, 5.5x2.1x9.5 mm 50-00133 plug to stripped tinned, 24 AWG, 30-00344 wire	1	
2	Nema 1-15 plug	NEMA 1-15 plug, nickel plated	1	
3	26-00002	Case, wall mount, ac-dc power supply, 68.5x43x32.5 mm, NEMA 1-15	1	



Features:

Wattage: 24 W, continuous
 Input voltage: 100 - 240 Vac, 50/60 Hz, 0.65 A max
 Output voltage: 24 Vdc
 Output current: 1 A
 Efficiency: DoE Level VI
 Safety: UL 62368-1

Revision:	Date:	Description:	Prepared:	Notes:	<h1>TENSILITY</h1> <p>tel 1.541.323.3228 800 877.670.7118 fax 1.541.323.4202 web tensility.com</p>	
A	03/18/2019	Initial release	AW <small>Digitally signed by AW Date: 2019.08.13 11:20:51 -07'00'</small>	RoHS compliant Approvals:		
			Verified:		Size:	
			PS <small>Digitally signed by PS Date: 2019.08.14 10:20:33 -07'00'</small>		Description:	Part number:
			Dimensions are in millimeters.	Adapter, WP, 120V, US, 2P, 24V 1000 mA, 5.5x2.1x9.5 mm plug, 10-03171 cable, C+, Level VI	A	16-00206
			Tolerances: X: ± 0.5 mm X.X: ± 0.3 mm X.XX: ± 0.05 mm		Scale: 1:2	

5

4

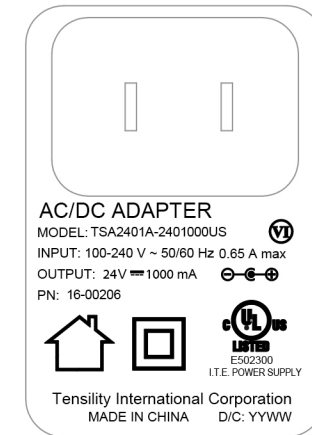
3

2

1

Plug-In ArtTrack 6 & 7 Light Power Supply Dimensions Cont.

	Rating	Conditions
Input		
Input voltage	100 - 240 Vac	single phase
Frequency	50 - 60 Hz	
Steady ac current	0.65 A max	100 - 240 Vac
Inrush current	60 A max	240 Vac, cold start
Standby power	0.1 W max	115 or 230 Vac
Output		
No load output voltage	22.8 - 25.2 Vdc	
Full load output voltage	22.8 - 25.2 Vdc	1A
Power	24 Watts continuous	all specified conditions
Ripple voltage	150 mV p-p at 1A	20 MHz bandwidth oscilloscope, terminated with 0.1 μ F ceramic capacitor and 10 μ F electrolytic capacitor, 25 °C
Over current protection	110 - 200% of max load	
Short circuit protection	input power shutdown, auto-recovery after fault removed	output short
Reliability & Safety		
Leakage current	0.25 mA max	nominal ac input voltage and frequency
Burn-in test	2 hours	45 °C max at normal input voltage and rated load
Efficiency	DoE Level VI, 86.2% min	115 or 230 Vac
MTBF	30,000 hours min	Telecordia SR-332
Hi-Pot (primary to secondary)	3300 Vac, 5 mA max	3 seconds (production testing)
Hi-Pot (primary to secondary)	3000 Vac, 10 mA max	60 seconds (safety testing)
Insulation resistance	100 M Ω , primary to secondary	500 Vdc
Safety testing	UL 62368-1	
Mechanical		
Weight	105 \pm 10 g	
Environmental		
Operating temperature	0 to 45 °C	10 - 90% relative humidity
Storage temperature	-25 to 70 °C	5 - 95% relative humidity



Not to Scale

Revision:	Date:	Description:	Prepared:	Notes:	<h1>TENSILITY</h1> <p>tel 1.541.323.3228 800 877.670.7118 fax 1.541.323.4202 web tensility.com</p>
A	03/18/2019	Initial release	AW <small>Digitally signed by AW Date: 2019.08.13 11:21:02 -07'00'</small>	RoHS compliant Approvals:	
			Verified: PS <small>Digitally signed by PS Date: 2019.08.14 10:20:20 -07'00'</small>		
			Dimensions are in millimeters. Tolerances: X: \pm 0.5 mm X.X: \pm 0.3 mm X.XX: \pm 0.05 mm	Description: Adapter, WP, 120V, US, 2P, 24V 1000 mA, 5.5x2.1x9.5 mm plug, 10-03171 cable, C+, Level VI	
				Size: A	Part number: 16-00206
				Scale: 1:1	Sheet 2 of 2

5

4

3

2

1