

TRIAC Wiring Instructions



WARNING: SHOCK HAZARD

To avoid fire, shock, or death; turn off power at circuit breaker or fuse and test that power is off before wiring or servicing fixture or driver!

Installation should be completed by qualified electrician.

Do NOT connect light directly to line voltage (mains electricity). This will void your warranty and destroy the light.

The light can only be hardwired using the included driver. Use of this light with any other driver or power supply will void the warranty.

Review driver manufacturer's instructions (included) for additional precautions and information.

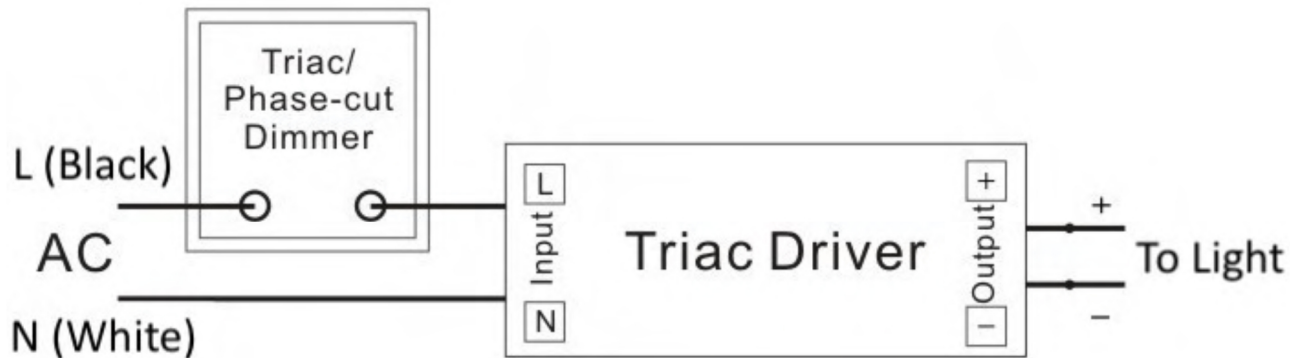
Install driver within 4 gang electrical box or similar enclosure per your local electric code.

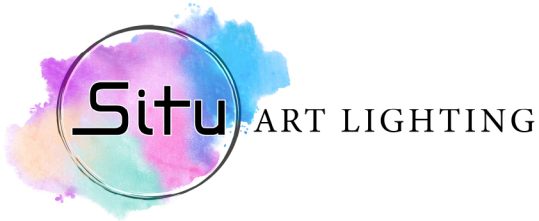
Please call us at 1-800-561-0492 should you have any questions.

Dimmer compatibility:

There are many manufacturers and models of dimmers on the market. Performance will vary depending on the specific make and model of the dimmer installed.

For optimal performance please use a Leviton TSL06 dimmer.





KVD Series Driver

0, 1-10v Driver Wiring Instructions



WARNING: SHOCK HAZARD

To avoid fire, shock, or death; turn off power at circuit breaker or fuse and test that power is off before wiring or servicing fixture or driver. See below for more information.

Installation should be completed by qualified electrician.

Install in accordance with all national and local electrical codes.

Do NOT connect light directly to line voltage (mains electricity). This will void your warranty and destroy the light.

The light can only be hardwired using the included driver. Use of this light with any other driver or power supply will void the warranty.

Install driver within 4 gang electrical box or similar enclosure per national and local electric codes.

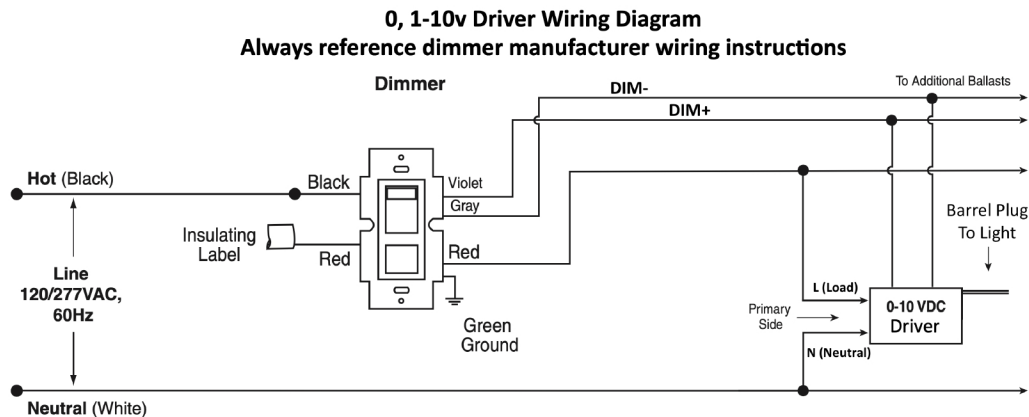
If light is not sufficiently bright or capable of dimming as low as desired, review instructions for your dimmer and adjust the dimmer trim as needed. The driver itself also offers trim adjustment that should only be adjusted after trim adjustments are made on your dimmer.

Please call us at 1-800-561-0492 should you have any questions.

Dimmer compatibility:

There are many manufacturers and models of dimmers on the market. Performance will vary depending on the specific make and model of the dimmer installed.

For optimal performance please use a Leviton IP710 dimmer.



Hardwire Power Supply Wiring Instructions



WARNING: SHOCK HAZARD

To avoid fire, shock, or death; turn off power at circuit breaker or fuse and test that power is off before wiring or servicing fixture or driver!

Installation should be completed by qualified electrician.

Do NOT connect light directly to line voltage (mains electricity). This will void your warranty and destroy the light.

The light can only be hardwired using the included power supply. Use of this light with any other driver or power supply will void the warranty.

Review power supply manufacturer's instructions (included) for additional precautions and information.

Install power supply within electrical box or similar enclosure per your local electric code.

Please call us at 1-800-561-0492 should you have any questions.

Use included remote control and dimmer module for operation of light.

